

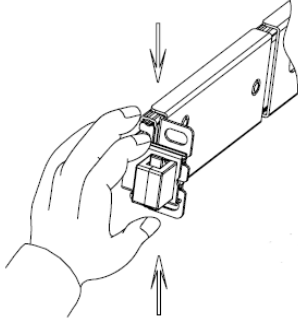
Slide Rail Installation Instructions

The slide rail kit includes the following components:

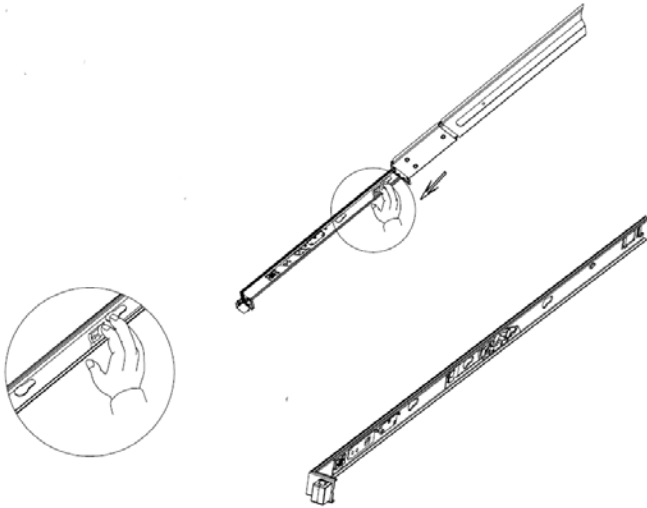
- Two slide rails
- One package of #10-32 screws
- One package of M5 screws
- One package of M6 screws
- One package of threaded washers for use with unthreaded square mounting holes
- One package of threaded washers for use with unthreaded round mounting holes

Follow these instructions to install the slide rails on your server rack.

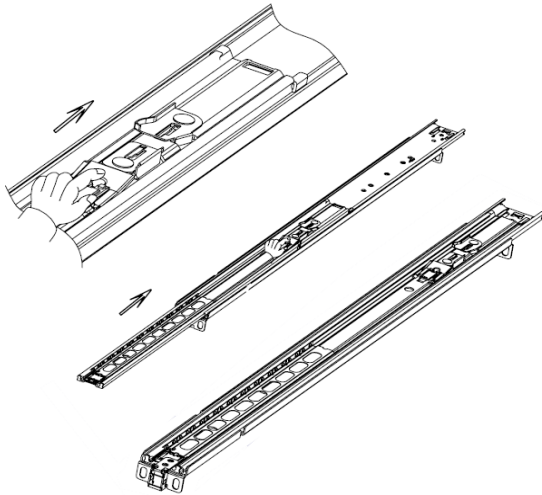
1. Pinch the blue latches at the front of the slide rail and pull to release the slide from the rail assembly.



2. Press the white latch on the inner section of the slide and pull to remove that section.



3. Press the angled latch on the slide to return the slide to its original position in the rail.



4. Attach the rails to the server rack.

- If the rack has round threaded mounting holes, attach the rails with the included screws (Figure A).
- If the rack has square mounting holes, attach the rails with the screws and the backing washers (Figure B).
- If the rack has round unthreaded mounting holes, attach the rails with #10-32 screws and backing washers.

Figure A

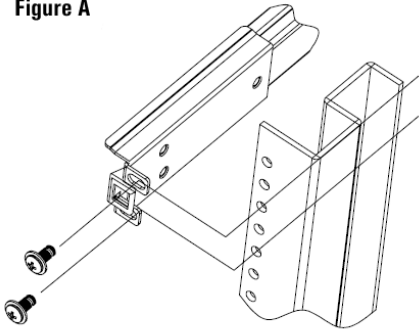
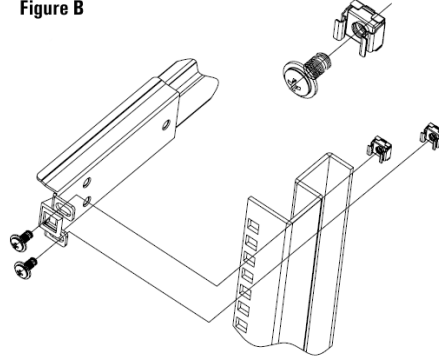
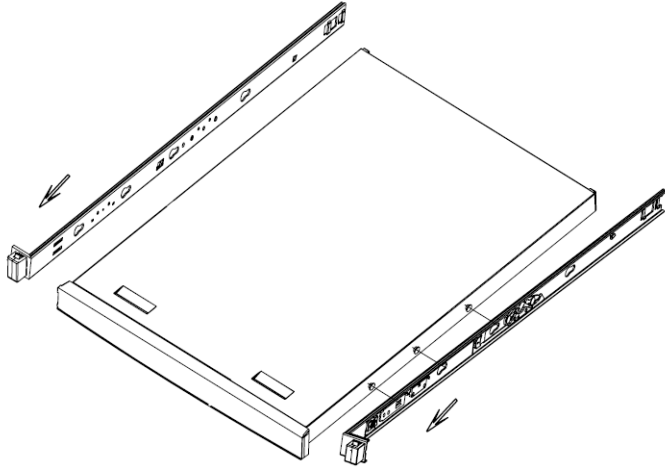


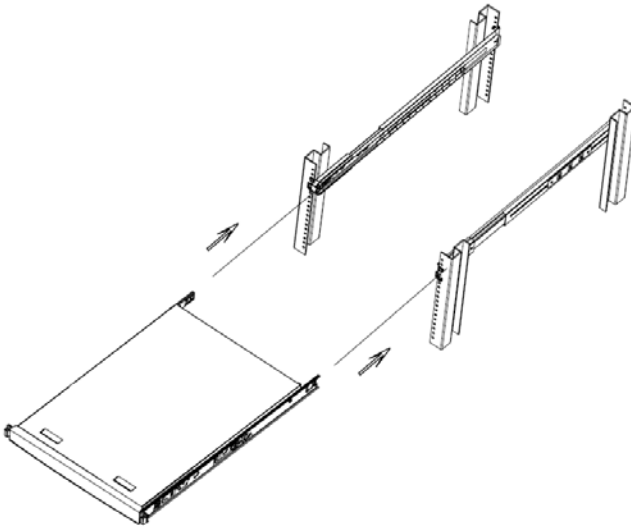
Figure B



5. Attach the inner section of the slide rail to the device chassis.



6. Slide the chassis into the rails.



© 2017 Trend Micro Incorporated. All rights reserved. TippingPoint, the TippingPoint logo, and Digital Vaccine are trademarks or registered trademarks of Trend Micro. All other company and product names may be trademarks of their respective holders. All rights reserved.

Part Number: 5200-1105, Rev A2