

TippingPoint 10 Wall and Rack Mount Installation

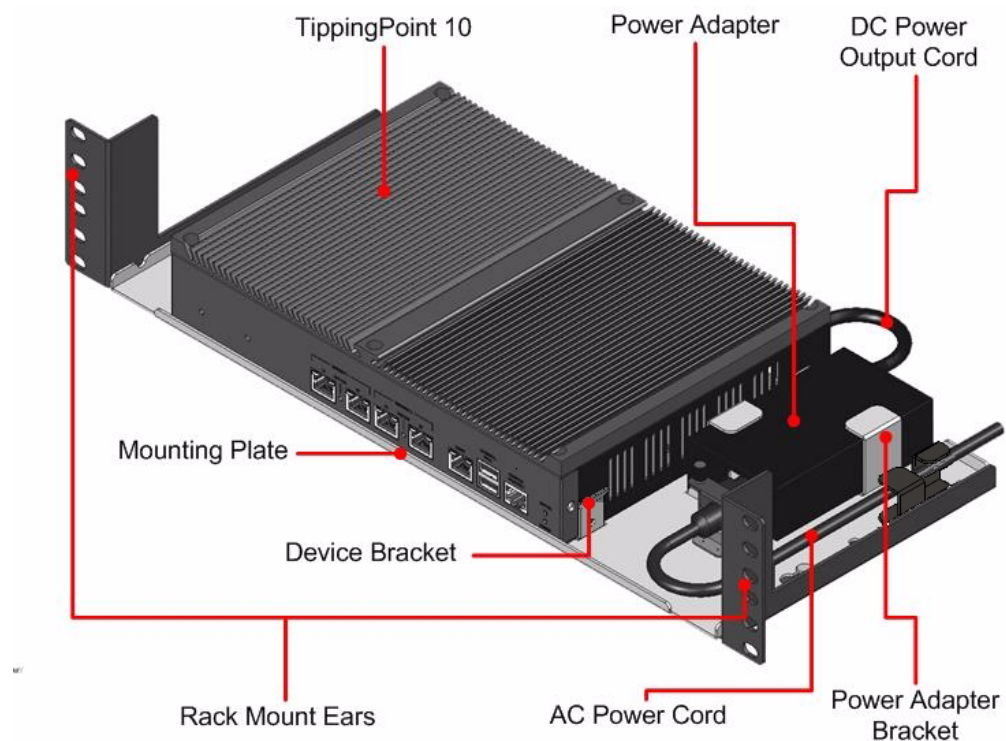
The TippingPoint 10 wall and rack mount kit enables you to mount the TippingPoint 10 on the wall or on a rack. The accessory kit includes:

- A mounting plate that is attached to the TippingPoint 10 and can then be attached to the wall.
- A pair of rack ears that attach to a server rack, on which the TippingPoint 10 and mounting plate can be placed. .



Note: To use the rack ears, the TippingPoint 10 must be installed on the mounting plate first.

Figure 1: Complete TippingPoint 10 Rack and Wall Mount Assembly With Rack Ears Attached

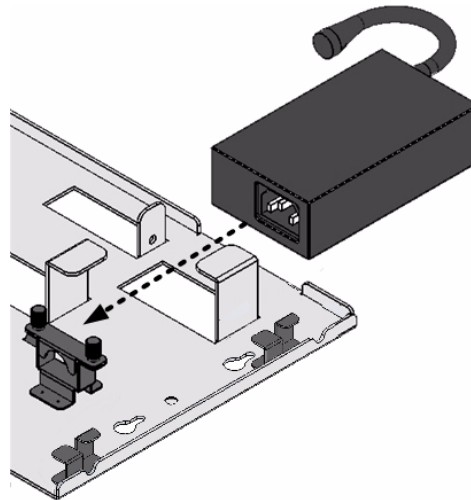


Attach the TippingPoint 10 to the Mounting Plate

Before mounting the TippingPoint 10 on a wall or attaching the rack ears, you must attach the device to the mounting plate.

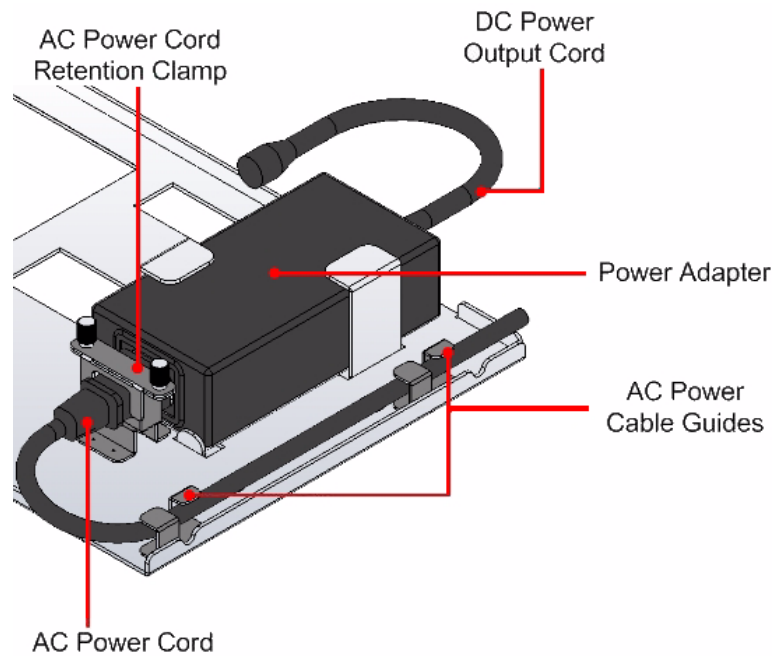
1. Place the mounting plate on a flat surface.
2. Place the TippingPoint 10 between the device brackets on the mounting plate.
3. Secure the TippingPoint 10 to the device brackets with screws.
4. Loosen the screws that secure the top of the AC power cord sufficiently to allow the AC power cord connector to pass through. (See Figure 3, “TippingPoint 10 Power Adapter Bracket,” on page 3.)
5. Ensure that the AC power cord is not attached to the power adapter and slide the adapter into the bracket on the mounting plate: the power adapter in the power adapter bracket.

Figure 2: Placing the Power Adapter On the Mounting Plate



6. Attach the cables to the AC adapter. Refer to the following diagram:

Figure 3: TippingPoint 10 Power Adapter Bracket

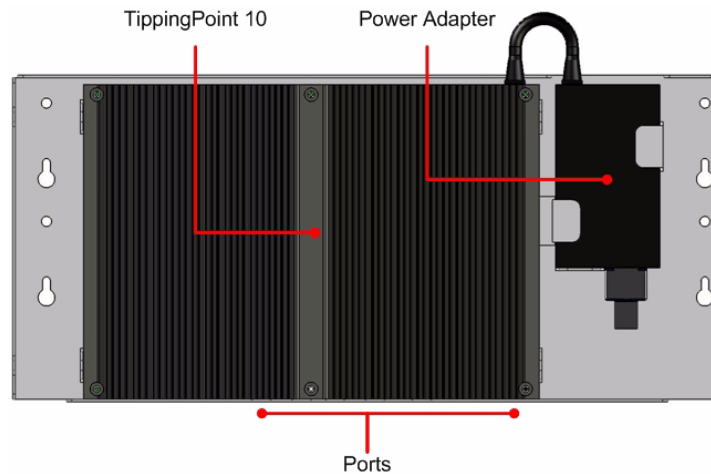


- A. Slide the AC power cord through the retention camp on the wall mount plate and plug the cord into the AC socket on the adapter.
- B. Ensure the AC adapter is securely placed and screw the retention clamp down over the AC cord connector.
- C. Route the AC power cord through the cable guides to the side of the AC adapter and connect to AC power.
- D. Attach the DC power output of the adapter to the back of the TippingPoint 10.

Attach the TippingPoint 10 to a Wall

To attach the TippingPoint 10 to a wall, hold the device and mounting plate vertically so that the network ports are facing down. Use the four mounting holes in the plate to fasten the plate securely to the wall. The screws should have a head diameter of at least 8mm (0.31 in) and a thread shaft diameter of at least 4mm (0.16 in).

Figure 4: Positioning of the TippingPoint 10 On a Wall



CAUTION: When mounting the TippingPoint 10 on a wall, the device should **only** be mounted with the ports facing down.

Attach the TippingPoint 10 to a Rack

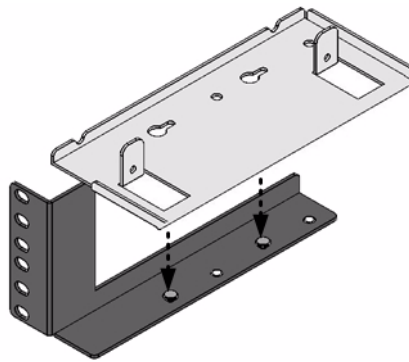
If you plan to install the TippingPoint 10 on a rack, follow these steps to attach the ears.



Note: You should always attach the TippingPoint 10 to the mounting plate before attaching the plate to the rack mount ears. The diagrams show the mounting plate and rack mount ears without the TippingPoint 10 for demonstration purposes only.

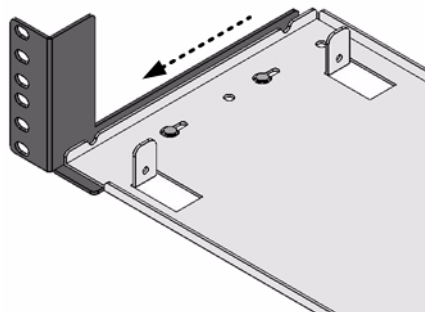
1. Attach the rack mount ears to the server rack with screws.
2. Place the mounting plate containing the TippingPoint 10 on to the rack mount ears with the ear lugs resting in the attachment holes.

Figure 5: Placing the Mounting Plate On the Rack Mount Ears



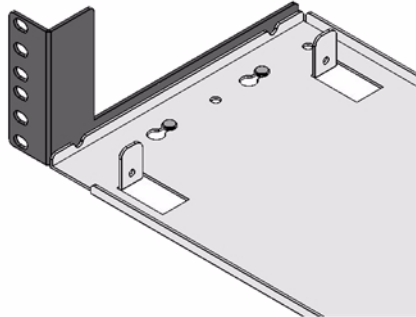
3. Slide the plate forward to lock it into place on the ear lugs.

Figure 6: Locking the Mounting Plate On the Rack Mount Ears



The following figure shows the completed assembly:

Figure 7: Mounting Plate Locked On the Rack Mount Ears



Copyright © 2009 TippingPoint Technologies, Inc. TippingPoint®, the TippingPoint logo, and Digital Vaccine® are registered trademarks of TippingPoint Technologies, Inc. or its subsidiaries. All other company and product names may be trademarks of their respective holders. All rights reserved.

Part Number: TECHD-0310

Publication Control Number: 042709:0908